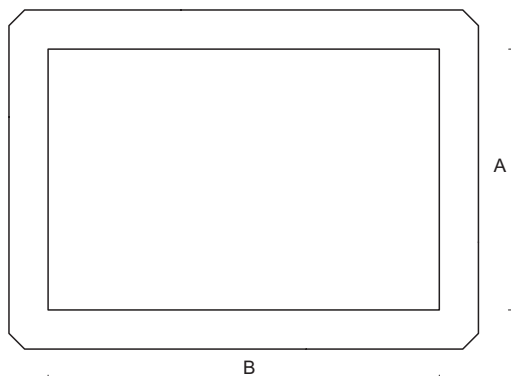
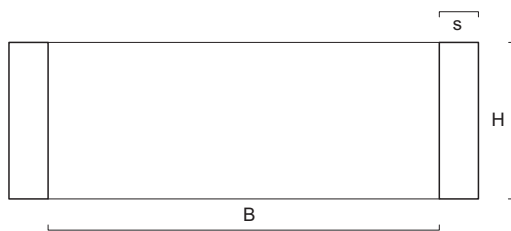
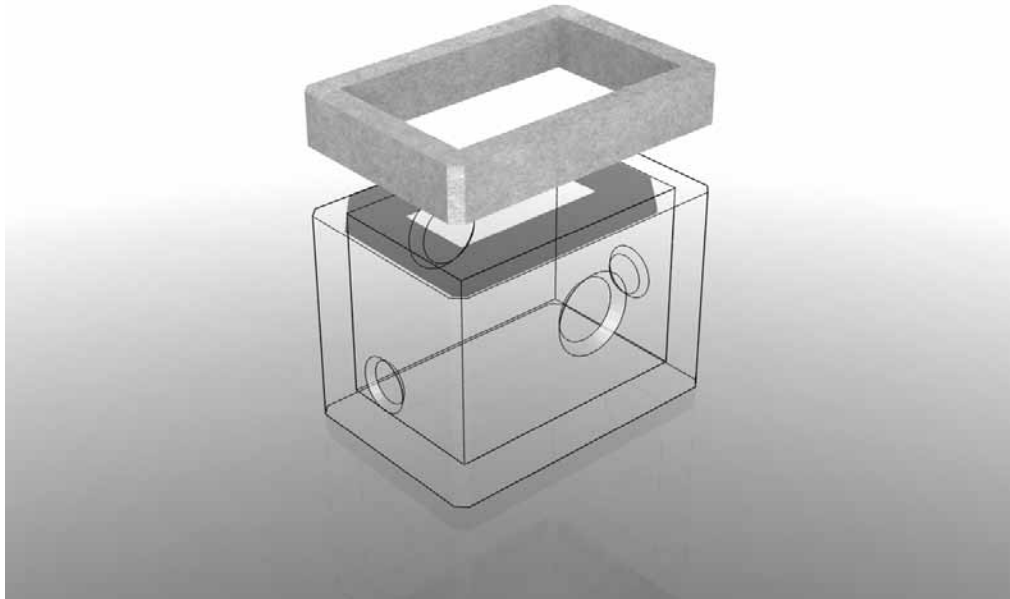


## Prolunghe per pozzetti rinforzati rettangolari



art.	A cm.	B cm.	H cm.	s cm.	P Kg.
013300	80	120	100	13,0	1440
013301	80	120	40	13,0	580
013302	80	120	20	13,0	300
013304	100	120	100	13,0	1500
013305	100	120	50	13,0	700
013307	100	120	30	13,0	420
013310	100	150	120	15,0	2350
013311	100	150	60	15,0	1280
013312	100	150	30	15,0	630